

DAIKIN



OPERATION MANUAL

DUCTED Air Conditioners

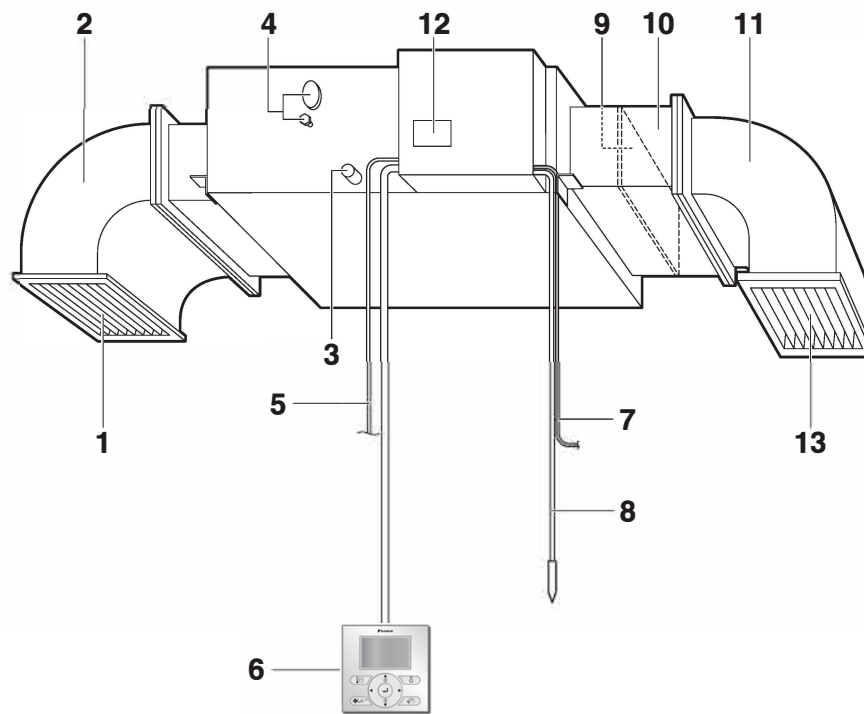
MODELS

Ceiling-mounted Duct type

FDYQN180LCV1

FDYQN200LCV1

Thank you for purchasing the Daikin air conditioner.
Carefully read this operation manual before using the air conditioner. It will tell you how to use the unit properly and help you if any trouble occurs. This manual explains about the indoor unit only. Use it along with the operation manual for the outdoor unit. After reading the manual, put it away for future reference.



NAME OF PARTS

1. Air outlet (Field supply)
2. Supply duct (Field supply)
3. Drain pipe
4. Connection piping
5. Transmission wiring
6. Remote controller (Sold separately)
7. Power line
8. Grounding wire
This wire releases electricity from the indoor unit to the ground in order to prevent electric shock or fire.
9. Air filter (inside filter chamber) (Sold separately)
10. Suction filter chamber (Sold separately)
11. Suction duct (Field supply)
12. Machine nameplate
The nameplate is imprinted with the machine name and specifications.
13. Suction grille (Field supply)

Important information regarding the refrigerant used

This product contains fluorinated greenhouse gases covered by the Kyoto Protocol.

Refrigerant type	R410A
GWP ⁽¹⁾ value	1975


⁽¹⁾ GWP = global warming potential


Periodical inspections for refrigerant leaks may be required depending on European or local legislation. Please contact your local dealer for more information.

SAFETY PRECAUTIONS

To gain full advantage of the air conditioner's functions and to avoid malfunction due to mishandling, we recommend that you read this instruction manual carefully before use.

- This air conditioner is classified under "appliances not accessible to the general public".
- Read the precautions thoroughly to avoid misuse of the equipment.
- **The precautions described herein are classified as WARNING and CAUTION. They both contain important information regarding safety. Be sure to observe all precautions without fail.**
- There are two kinds of safety precaution and tips listed in the following.

 **WARNING** Failure to follow these instructions properly may result in personal injury or loss of life.

 **CAUTION** Failure to observe these instructions properly may result in property damage or personal injury, which may be serious depending on the circumstances.

- **After reading, keep this manual in a convenient place so that you can refer to it whenever necessary. If the equipment is transferred to a new user, be sure also to hand over the manual.**

WARNING

- **Consult your local dealer about installation work.**
Doing the work yourself may result in water leakage, electric shocks or fire hazards.
- **Consult your local dealer regarding modification, repair and maintenance of the air conditioner.**
Improper workmanship may result in water leakage, electric shocks or fire hazards.
- **Beware of fire in case of refrigerant leakage.**
If the air conditioner is not operating correctly, i.e. not generating cool or warm air, refrigerant leakage could be the cause. Consult your dealer for assistance.
The refrigerant within the air conditioner is safe and normally does not leak. However, in the event of a leakage, contact with a naked burner, heater or cooker may result in generation of noxious gas.
Do not use the air conditioner until a qualified service person confirms that the leakage has been repaired.
- **Consult your local dealer regarding relocation and reinstallation of the air conditioner.**
Improper installation work may result in leakage, electric shocks or fire hazards.

- **Be aware that prolonged, direct exposure to cool air from the air conditioner, or to air that is too cool can be harmful to your physical condition and health.**
- **When the air conditioner is malfunctioning (giving off a burning odour, etc.) turn off power to the unit and contact your local dealer.**
Continued operation under such circumstances may result in a failure, electric shocks or fire hazards.
- **Do not place objects, including rods, your fingers, etc., in the air inlet or outlet.**
Injury may result due to contact with the air conditioner's high speed fan blades.
- **Consult your local dealer regarding what to do in case of refrigerant leakage.**
When the air conditioner is to be installed in a small room, it is necessary to take proper measures so that the amount of any leaked refrigerant does not exceed the concentration limit in the event of a leakage. Otherwise, this may lead to an accident due to oxygen depletion.
- **Contact professional personnel about attachment of accessories and be sure to use only accessories specified by the manufacturer.**
If a defect results from your own workmanship, it may result in water leaks, electric shock or fire.
- **Be sure to use fuses with the correct ampere reading.**
Do not use improper fuses, copper or other wires as a substitute, as this may result in electric shock, fire, injury or damage to the unit.
- **Be sure to earth the unit.**
Do not earth the unit to a utility pipe, lighting conductor or telephone earth lead. Imperfect earthing may result in electric shocks or fire.
A high surge current from lightning or other sources may cause damage to the air conditioner.
- **Be sure to install an earth leakage breaker.**
Failure to install an earth leakage breaker may result in electric shocks or fire.
- **Consult the dealer if the air conditioner submerges owing to a natural disaster, such as a flood or typhoon.**
Do not operate the air conditioner in that case, or otherwise a malfunction, electric shock, or fire may result.
- **Do not start or stop operating the air conditioner with the power supply breaker turned ON or OFF.**
Otherwise, fire or water leakage may result.
Furthermore, the fan will rotate abruptly if power failure compensation is enabled, which may result in injury.
- **Do not operate with the control panel lid open.**
If water gets inside the panel, it may result in equipment failure or electric shock.
- **Do not place flammable sprays near the unit as this can cause explosions.**

—  **CAUTION** —

- **Do not place objects in direct proximity of the outdoor unit and do not let leaves and other debris accumulate around the unit.**

Leaves are a hotbed for small animals which can enter the unit. Once in the unit, such animals can cause malfunctions, smoke or fire when making contact with electrical parts.

- **Do not allow a child to mount on the outdoor unit or avoid placing any object on it.**

Falling or tumbling may result in injury.

- **The appliance is not intended for use by unattended young children or infirm persons.**

Impairment of bodily functions and harm to health may result.

- **Children should be supervised to ensure that they do not play with the unit or its remote controller.**

Accidental operation by a child may occur impairment of bodily functions and harm health.

- **Do not let children play on or around the outdoor unit.**

If they touch the unit carelessly, injury may occur.

- **Do not block air inlets nor outlets.**

Impaired airflow may occur in insufficient performance or trouble.

- **Do not use the air conditioner for purposes other than those for which it is intended.**

Do not use the air conditioner for cooling precision instruments, food, plants, animals or works of art as this may adversely affect the performance, quality and/or longevity of the object concerned.

- **Do not remove the outdoor unit's fan guard.**

The guard protects against the unit's high speed fan, which may cause injury.

- **Do not place objects that are susceptible to moisture directly beneath the indoor or outdoor units.**

Under certain conditions, condensation on the main unit or refrigerant pipes, air filter dirt or drain blockage may cause dripping, resulting in fouling or failure of the object concerned.

- **To avoid oxygen depletion, ensure that the room is adequately ventilated if equipment such as a burner is used together with the air conditioner.**

- **After prolonged use, check the unit stand and its mounts for damage.**

If left in a damaged condition, the unit may fall and cause injury

- **Do not place flammable sprays or operate spray containers near the unit as this may result in fire.**

- **Before cleaning, be sure to stop unit operation, turn the breaker off or remove the power cord.**

Otherwise, an electric shock and injury may result.

- **To avoid electric shocks, do not operate with wet hands.**

- **Do not place appliances that produce naked flames in places exposed to the airflow from the unit as this may impair combustion of the burner.**

- **Do not place heaters directly below the unit, as resulting heat can cause deformation.**

- **Do not sit or place objects on the outdoor unit.** Falling yourself or falling objects could cause injury.

- **Ensure that the remote controller is not exposed to direct sunlight.**

This will cause discoloration of the LCD display with resulting loss of readability.

- **Do not wipe the controller panel with benzene or other organic solvent.**

This will cause discoloration and/or peeling. If the panel needs cleaning, use a damp cloth with some water-diluted neutral detergent. Wipe with a dry cloth afterwards.

- **Be sure that children, plants or animals are not exposed directly to air flow from the unit, as adverse effects may ensure.**

- **Do not wash the air conditioner or the remote controller with water, as this may result in electric shocks or fire.**

- **Do not install the air conditioner at any place where there is a danger of flammable gas leakage.**

In the event of a gas leakage, build-up of gas near the air conditioner may result in fire hazards.

- **Do not place burners or heaters in places exposed to the air flow from the unit as this may impair combustion of the burner or heater.**

- **Arrange the drain hose to ensure smooth drainage.** Imperfect drainage may cause wetting of the building, furniture etc.

- **Do not place water containers (flower vases, etc.) on the unit, as this may result in electric shocks or fire.**

- **Consult your dealer regarding cleaning the inside of the air conditioner.**

Improper cleaning may cause breakage of plastic parts, water leakage and other damage as well as electric shocks.

- **To avoid injury, do not touch the air inlet or aluminium fins of the unit.**

- **Never operate remote controller buttons with hard, pointed objects.**

This may result in remote controller damage.

- **Do not pull or twist the remote controller cord.**

This may cause malfunctioning.

- **Do not operate the air conditioner when using a room fumigation type insecticide.**

Fumigation chemicals deposited in the unit could endanger the health of those who are hypersensitive to touch chemicals.

- **Never touch the internal parts of the controller.**

Do not remove the front panel. Touching certain internal parts will cause electric shocks and damage to the unit.

Please consult your dealer about checking and adjustment of internal parts.

- **Do not leave the remote controller wherever there is a risk of wetting.**

If water gets into the remote controller there is a risk of electrical leakage and damage to electronic components.

- **Watch your steps at the time of air filter cleaning or inspection.**

High-place work is required, to which utmost attention must be paid.

If the scaffold is unstable, you may fall or topple down, thus causing injury.

- **Take care of scaffolding and exercise caution when working high above ground level.**

- **Arrange the drain to ensure complete drainage.**

If proper drainage from the outdoor drain pipe does not occur during air conditioner operation, there could be a blockage due to dirt and debris build-up in the pipe. This may result in a water leakage from the indoor unit. Under these circumstances, stop air conditioner operation and consult your dealer for assistance.

INSTALLATION SITE

Regarding places for installation

- **Install the air conditioner in a well-ventilated place that is free of obstructions**
- **Do not use the air conditioner in the following kinds of places:**
 - a. Where there is considerable use of mineral oil such as cutting oil
 - b. Where there is much salt such as a beach area
 - c. Where there is sulphur gas such as in a hot-spring resort
 - d. Where there are considerable voltage fluctuations such as a factory
 - e. Where there are motor vehicles or marine vessels
 - f. Where there is considerable atmospheric oil such as in cooking areas
 - g. Where there are machines generating electromagnetic radiation
 - h. Where the air contains acidic or alkaline steam or a vapour
- **Protection against snow. For details, consult your dealer.**

Regarding wiring

- **All wiring must be performed by an authorized electrician.**

Always consult your dealer about wiring.
Never do it by yourself.
 - **Only use the dedicated power supply circuit provided for this air conditioner.**
- Also pay attention to operating noise.**
- **Select the following kinds of location:**
 - a. A place that can sufficiently withstand the weight of the air conditioner with less running noises and vibrations.
 - b. A place where warm airflow from the air outlet of the outdoor unit and operating noise do not cause a nuisance to neighbours.
 - **Be sure there are no obstructions near the air outlet of the outdoor unit.**
 - **Obstructions may result in poor performance and increased operating noise.**

If abnormal noise occur, ask your dealer for advise.

MAINTENANCE

— ⚠ WARNING —

- **Only a qualified person is allowed to perform maintenance except daily maintenance.**
- **Before touching any of connection wirings, be sure to turn off all power supply switches.**
- **Do not use flammable materials (e.g., hairspray or insecticide) near the product.**

Do not clean the product with organic solvents such as paint thinner.
The use of organic solvents may cause crack damage to the product, electric shocks, or fire.
- **Contact professional personnel about attachment of accessories and be sure to use only accessories specified by the manufacturer.**

If a defect results from your own workmanship, it may result in water leaks, electric shock or fire.
- **Consult your dealer regarding cleaning the inside of the air conditioner.**

Improper cleaning may cause breakage of plastic parts, water leakage and other damage as well as electric shocks.

— ⚠ CAUTION —

- **Before cleaning, be sure to stop unit operation, turn the breaker off or remove the power cord.**


Otherwise, an electric shock and injury may occur.
- **Do not wash the air conditioner with water, as this may result in electric shocks or fire.**
- **Watch your steps at the time of air filter cleaning or inspection.**

High-place work is required, to which utmost attention must be paid.
If the scaffold is unstable, you may fall or topple down, thus causing injury.
- **Turn off the main power switch when the air conditioner is not be used for prolonged periods.**

When the main power switch is left on, some electric power (watts) is still consumed even if the air conditioner is not operating. Therefore, switch off the main power switch to save energy. When resuming operation, to ensure smooth running, turn on the main power switch 6 hours before operating the air conditioner again.

HOW TO CLEAN THE AIR FILTER

(The air filter is an optional accessory.)

Clean the air filter when the display shows “” (TIME TO CLEAN AIR FILTER).

Increase the frequency of cleaning if the unit is installed in a room where the air is extremely contaminated.

(As a yardstick for regulating yourself, consider cleaning the filter.)

1. Remove the air filters.

2. Clean the air filter.

Use vacuum cleaner **A)** or wash the air filter with water **B)**.

A) Using a vacuum cleaner



B) Washing with water

To clean the air filter, use soft brush and neutral detergent.




Remove water and dry in the shade.

NOTE

- Do not wash the air conditioner with hot water of more than 50°C. Doing so may result in discoloration or deformation.
- Never dry the filter by direct firing. Doing so may result in burning.

3. Fix the air filter.

4. Press the FILTER SIGN RESET BUTTON on the remote controller.

The display “” (TIME TO CLEAN AIR FILTER) vanishes.

(For details, see the operation manual for the outdoor unit.)

NOTE

- Do not remove the air filter except when cleaning. Unnecessary handling may damage the filter.

HOW TO CLEAN AIR OUTLET AND OUTSIDE PANELS

1. Clean with soft cloth.

2. When it is difficult to remove stains, use water or neutral detergent.

NOTE

- Do not use gasoline, benzene, thinner, polishing powder, liquid insecticide. It may cause discoloring or warping.
- Do not let the indoor unit get wet. It may cause an electric shock or a fire.
- Do not use hot water of 50°C or higher, as doing so may result in discoloration or deformation.

DAIKIN AUSTRALIA PTY. LIMITED

62-66 Governor Macquarie Dr, Chipping Norton, NSW 2170 Australia
Phone: 1300 3624 38

Daikin New Zealand, 525 Great South Rd, Penrose, Auckland 6

www.daikin.com.au

DAIKIN INDUSTRIES LTD.

Head office:

Umeda Center Bldg., 2-4-12, Nakazaki-Nishi,
Kita-ku, Osaka, 530-8323 Japan

Tokyo office:

JR Shinagawa East Bldg., 2-18-1, Kanan,
Minato-ku, Tokyo, 108-0075 Japan